

ELIQUO | HYDROK

MecMex Lifting™

Mechanical CSO screen lifting system



MecMex Lifting

THE MECMEX LIFTING SYSTEM IS DESIGNED TO ELIMINATE THE NEED FOR OPERATION AND MAINTENANCE TEAMS TO ENTER HAZARDOUS UNDERGROUND AREAS.

MECMEX LIFTING SYSTEM

The design was developed during consideration of the Construction Design Management (CDM) regulations regarding the health and safety issues of working underground.

The traditional installation of the MecMex CSO screen requires the screen to be bolted to the walls of the chamber which in turn requires entry into the chamber for inspection of the screen. The ELIQUO HYDROK solution replaces the bolted support plates with a guide rail system. This allows the whole MecMex to be raised out of the chamber via the system's unique Lifting Beam in conjunction with a mechanised or manual lifting rig.

The lifting beam can be safely stored by the service team for use when required for any relevant MecMex CSO chamber.

The lifting beam is guided into the chamber via guide rails and located onto the screen body where specially designed lifting clamps automatically locate onto dowels fitted to the screen.

Once the connection is secure the beam can be raised using the lifting rig with the screen attached and guided up the guide rail system via roller boxes fitted to the end plates.

When the screen is above ground any inspection of the screen and sewer below can be carried out by a suitably qualified engineer. With the work completed, the screen is lowered back into position by reversing the lifting procedure.

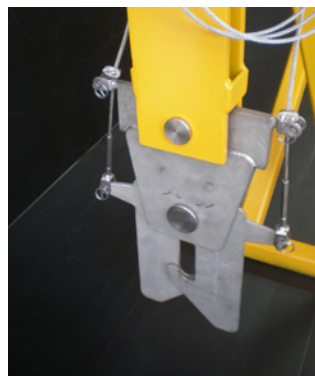
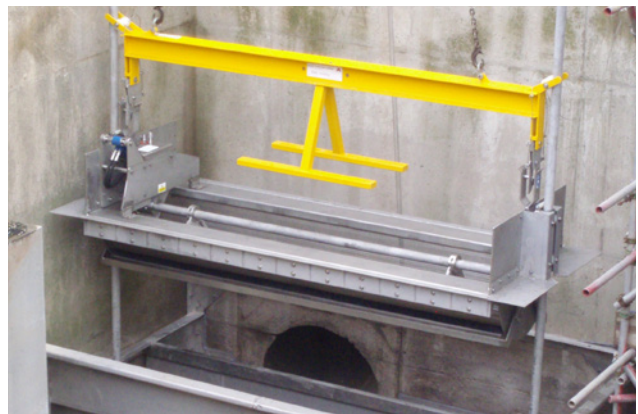
When the MecMex is relocated back into position the clamps are released from the dowels using the cable release system and the beam safely lifted away from the MecMex and removed from the chamber to be returned to storage.

ADVANTAGES AND BENEFITS

Eliminates the need for operator entry into the chamber

Complies with CDM guidelines

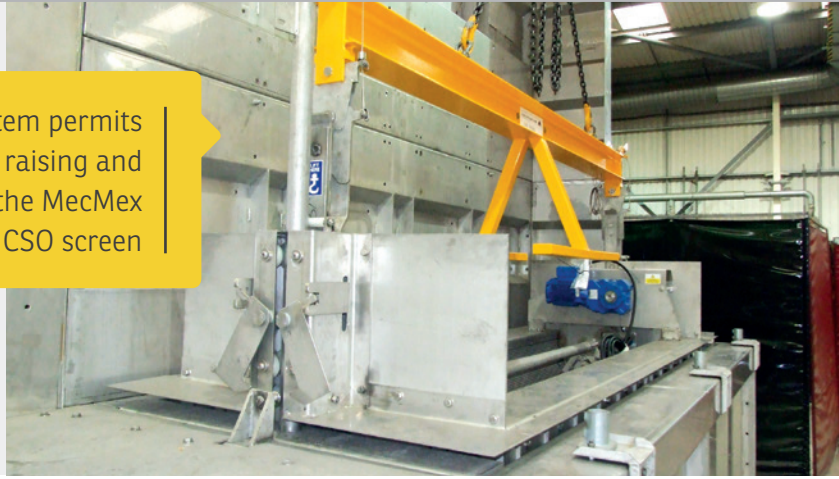
Robust, stainless steel design



MecMex Claw

MecMex Dowel

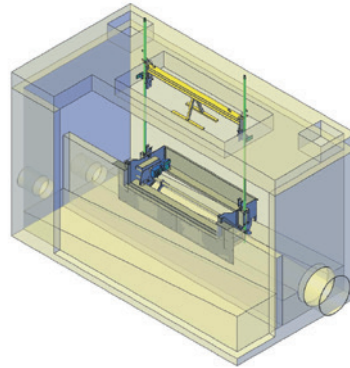
Lifting system permits
safe raising and
lowering of the MecMex
CSO screen



Operating principles

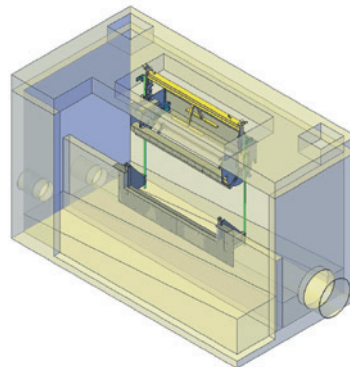
1

Lower the Lifting Beam down
the guide rails



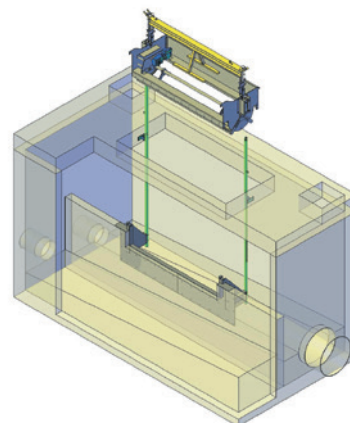
2


Lifting Beam engages with the
lifting dowel



3

Withdraw the Lifting Beam with MecMex
attached





MecMex Lifting System, eliminates the need to enter
hazardous underground areas.

Version 001

ELIQUO HYDROK LTD

Indian Queens Ind Estate, St. Columb | Cornwall, England | TR9 6TL

T +44 1726 861 900

sales@eliquohydrok.co.uk | www.eliquohydrok.co.uk

MEMBER OF **ELIQUO WATER GROUP**